






Magnetic inductive flow sensor, low flow rates

- For connection to a Type SE58 transmitter (with or without display, in compact or remote version) for flow measurement
- Clean in place (CIP) capable
- Flow rate measurements 0.2...approx. 200 l/min for DN 03...DN 20



Product variants described in the data sheet may differ from the product presentation and description.

Can be combined with

| | | |
|---|---|---|
|  | Type SE58 L version of the transmitter for electromagnetic-inductive flow sensors | ▶ |
|  | Type SE58 M version of the transmitter for electromagnetic-inductive flow sensors | ▶ |
|  | Type SE58 S version of the transmitter for electromagnetic-inductive flow sensors | ▶ |

Description du Type

The Type S051 magnetically inductive flow sensor (compact or separate version) is suitable for low-flow applications and liquids with minimum conductivity.

The combination with the dedicated SE58 S transmitter (minimum required conductivity: 20 µS/cm) or with the SE58 M or SE58 L transmitters (minimum conductivity required: 5 µS/cm) results in a flowmeter with different performance, functions, materials and approvals, with the corresponding suitability for the respective applications depending on the respective requirements.

With the SE58 S you get a compact device, with the SE58 M and SE58 L compact devices or remote versions are created for which the transmitter and sensor are connected by 2 cables up to a maximum length. Standard process connections available for the S051 are thread connections in G or NPT.

Table of contents

| | |
|--|----------|
| 1. General Technical Data | 3 |
| 2. Dimensions | 5 |
| 2.1. Compact version..... | 5 |
| 2.2. Remote version with junction box | 5 |
| 3. Product installation | 6 |
| 3.1. Installation notes..... | 6 |
| 3.2. Selection of the nominal diameter | 7 |
| 4. Product operation | 7 |
| 4.1. Measuring principle | 7 |
| 5. Ordering information | 8 |
| 5.1. Bürkert eShop – Easy ordering and quick delivery..... | 8 |
| 5.2. Recommendation regarding product selection | 8 |
| 5.3. Bürkert product filter..... | 8 |
| 5.4. Ordering chart sensor Type S051 | 8 |
| 5.5. Ordering chart accessories..... | 9 |

1. General technical data

Note:

Empty pipe functionality is not available for this sensor type.

The S051 electromagnetic flow sensor in a compact or remote version is intended for use with transmitter Type SE58, which is available in three versions L, M or S.



Detailed information can be found in the data sheet of the transmitter, see [data sheet Type SE58](#) ▶.

Product properties

Material

Non wetted parts

Sensor housing

Stainless steel 304 (1.4301)

Junction box

Only for remote sensor: stainless steel 304 (1.4301) raw (on request: stainless steel 304 (1.4301) polished or painted aluminium)

Wetted parts

Process connection

- Stainless steel 316L (1.4404)
- Stainless steel 304 (1.4301) with full lining version (process connection included)

Lining

PTFE

Electrode

- Stainless steel 316L
- Alloy C, Titanium, Tantalum, Platinum-rhodium on request

Seal

FKM (EPDM or FFKM on request)

Pipe diameter

DN 03...DN 20

Dimensions

Detailed information can be found in chapter [“2. Dimensions” on page 5.](#)

Measuring principle

Electromagnetic induction

Detailed information can be found in chapter [“4.1. Measuring principle” on page 7.](#)

Measuring range

0...10 l/h to 0...12500 l/h

Detailed information can be found in chapter [“5.4. Ordering chart sensor Type S051” on page 8.](#)

Performance data

At reference conditions and according to internal test procedures:

- At room temperature
- Constant flow rate during the test, liquid speed > 1 m/s
- Pressure: >30 Kpa
- Flow condition: observed inlet and outlet conditions
- Zero point stability: $\pm 0.005\%$

Measurement deviation

If used with SE58 transmitter:

- in compact or remote L version: $\leq \pm 0.2\%$ of the measured value for flow velocity > 0.5 m/s
- in compact or remote M version: $\leq \pm 0.8\%$ of the measured value for flow velocity > 0.5 m/s
- in compact S version: $\leq \pm 0.5\%$ of the measured value for flow velocity > 0.5 m/s

See [data sheet Type SE58](#) ▶

Repeatability

If used with SE58 transmitter:

- in compact or remote L version: $\leq \pm 0.1\%$ of the measured value for flow velocity > 0.5 m/s
- in compact or remote M version: $\leq \pm 0.4\%$ of the measured value for flow velocity > 0.5 m/s
- in compact S version: $\leq \pm 0.25\%$ of the measured value for flow velocity > 0.5 m/s

See [data sheet Type SE58](#) ▶

Vacuum resistance

200 mbar (2.9 PSI) absolute at 100 °C (212 °F)

Medium data

| | |
|----------------------|---|
| Fluid temperature | <ul style="list-style-type: none"> • Compact version: -20...+100 °C (-4...+212 °F) • Remote version: -20...+130 °C (-4...+266 °F) |
| Fluid pressure | PN 16 (PN 40 on request) |
| Minimum conductivity | 5 µS/cm (or 20 µS/cm with demineralised water) |

Process/Port connection & communication

| | |
|-----------------------|---|
| Process connection | <ul style="list-style-type: none"> • External thread G ISO 228-1 • NPT • DIN 11851, SMS 1145, clamp, ISO 2852 or BS 4825, flange DIN 2501, ANSI on request |
| Electrical connection | 2 cable glands PG9 (for remote version of the sensor) |

Approvals and certificates

Directives

| | |
|------------------------------|---|
| CE directive | The applied standards, which verify conformity with the EU Directives, can be found on the EU Type Examination Certificate and/or the EU Declaration of conformity (if applicable). |
| Pressure equipment directive | The device is not subject to the requirements of the Pressure Equipment Directive 2014/68/EU, as the nominal flowmeter diameters are smaller than DN 25. |

Environment and installation

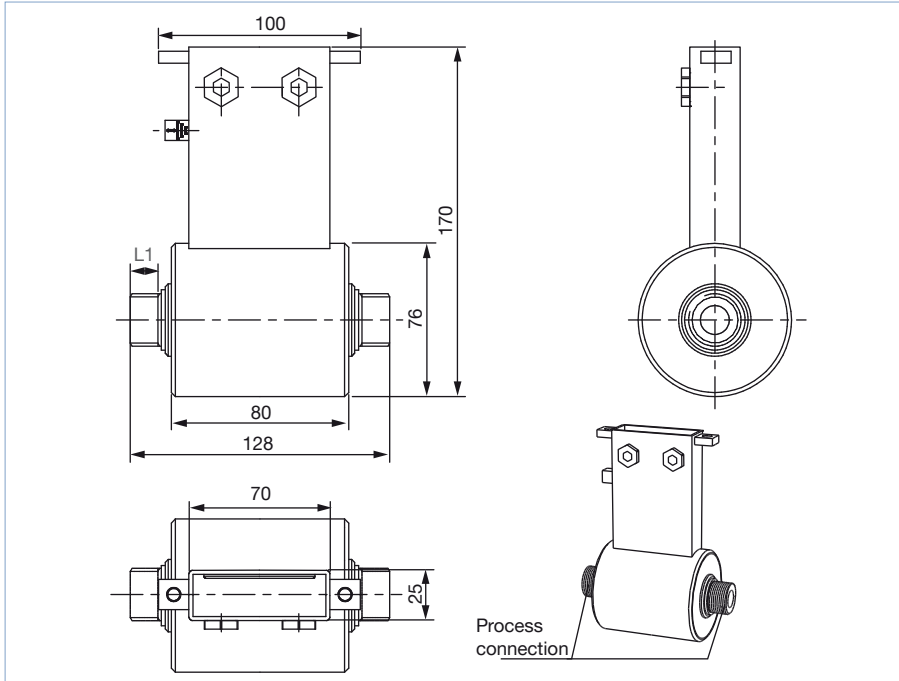
| | |
|--|---|
| Ambient temperature | According to the used version of SE58 transmitter and its material Detailed information can be found in the data sheet of the transmitter, see data sheet Type SE58 ▶. |
| Relative air humidity | ≤90 %, without condensation |
| Height above sea level | Max. 2000 m |
| Operating condition | Continuous |
| Equipment mobility | Fixed device |
| Application range | Indoor and outdoor (protect the device against electromagnetic interference, ultraviolet rays and against the effects of climatic conditions) |
| Degree of protection according to IEC/EN 60529 | If use with SE58 transmitter: <ul style="list-style-type: none"> • in compact L and M version: IP67 (IP68 optional) • in compact S version: IP67 (IP68 optional) • in remote L and M version: IP68 See data sheet Type SE58 ▶ |
| Installation category | Category II according to UL/EN 61010-1 |
| Pollution degree | Degree 2 according to UL/EN 61010-1 |

2. Dimensions

2.1. Compact version

Note:

- Detailed information on the dimensions of the SE58 transmitter can be found in [data sheet Type SE58](#) ▶.
- Dimensions in mm (unless specified differently)

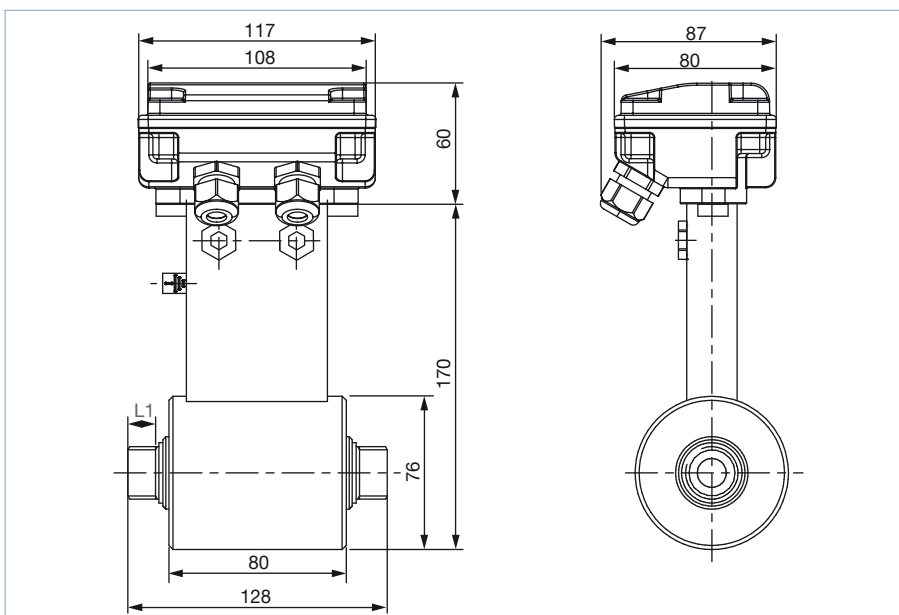


| DN | Thread [Inch] | L1 |
|----|---------------|------|
| 03 | G or NPT 1/4" | 16.4 |
| 06 | G or NPT 3/8" | 16.4 |
| 10 | G or NPT 1/2" | 17.4 |
| 15 | G or NPT 3/4" | 20.0 |
| 20 | G or NPT 1" | 20.0 |

2.2. Remote version with junction box

Note:

- Detailed information on the dimensions of the SE58 transmitter can be found in [data sheet Type SE58](#) ▶.
- Dimensions in mm (unless specified differently)



| DN | Thread [Inch] | L1 |
|----|---------------|------|
| 03 | G or NPT 1/4" | 16.4 |
| 06 | G or NPT 3/8" | 16.4 |
| 10 | G or NPT 1/2" | 17.4 |
| 15 | G or NPT 3/4" | 20.0 |
| 20 | G or NPT 1" | 20.0 |

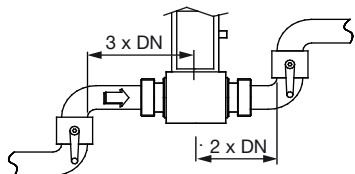
3. Product installation

3.1. Installation notes

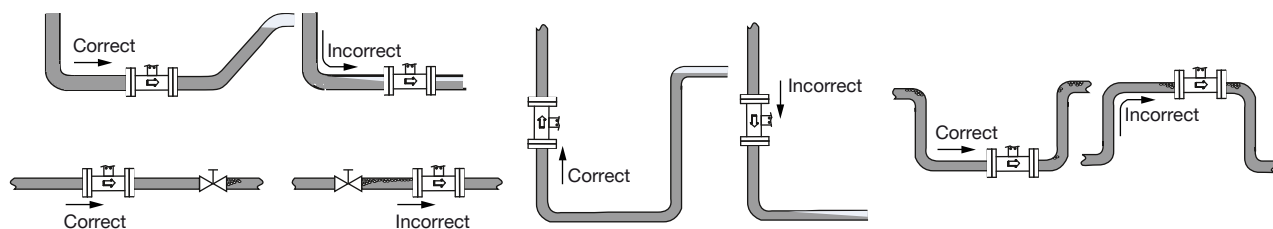
Note:

The flow sensor is not designed for gas and steam flow measurement.

- During flowmeter operation the pipe must be completely full.
- Observe the upstream and downstream distances.



The sensor can be installed into either horizontal or vertical pipes. Mount the sensor in the indicated positions shown below to obtain an accurate flow measurement.



The suitable pipe size can be selected using the nominal pipe size selection chart. See chapter [“3.2. Selection of the nominal diameter”](#) on page 7.

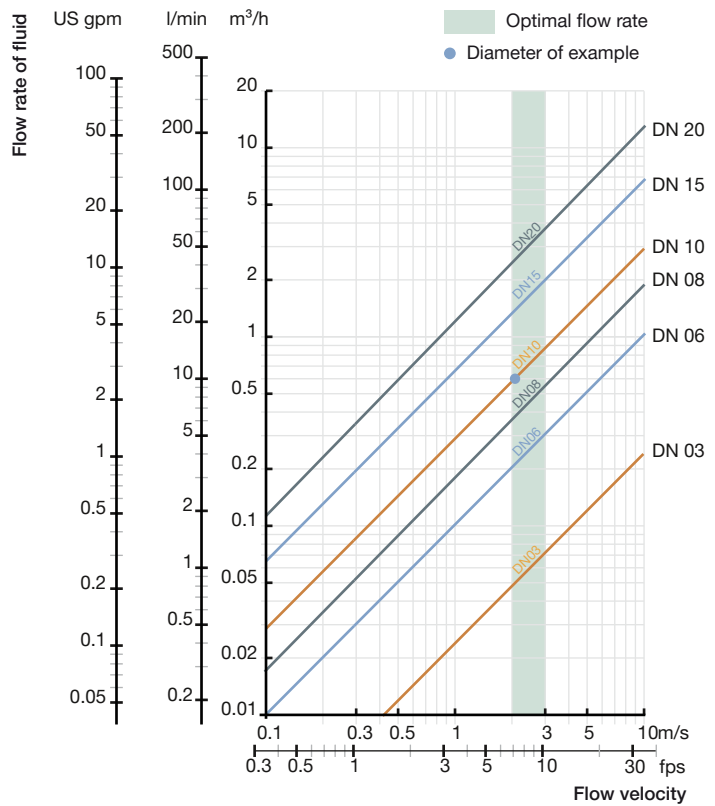
3.2. Selection of the nominal diameter

The graph is used to determine the DN of the pipe appropriate to the application, according to the fluid velocity and the flow rate. On the chart, the intersection of flow rate and flow velocity gives the appropriate diameter.

Example:

- Flow: 10 l/min
- Optimal flow rate: 2...3 m/s

Result: Select a pipe size of DN 10



4. Product operation


4.1. Measuring principle

Faraday's law serves as the physical basis for magnetic flow measurement. Magnetic coils are arranged around the pipeline to generate a magnetic field. Conductive liquids flowing through the magnetic field induce a voltage at two opposite metallic electrodes in contact with the medium. These electrodes are used to measure the induced electrical alternating voltage. The signal of sensor S051 must be amplified and processed by transmitter SE58.

Detailed information on the dimensions of the SE58 transmitter can be found in [data sheet Type SE58](#) ▶.

5. Ordering information

5.1. Bürkert eShop – Easy ordering and quick delivery



Bürkert eShop – Easy ordering and fast delivery

You want to find your desired Bürkert product or spare part quickly and order directly? Our online shop is available for you 24/7. Sign up and enjoy all the benefits.

[Order online now](#)

5.2. Recommendation regarding product selection

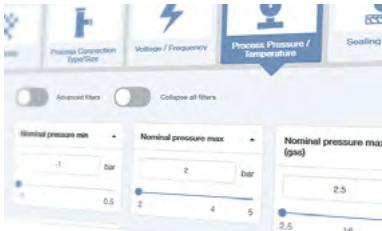
A complete flowmeter consists of a S051 flow sensor (compact or remote version) and a SE58 transmitter (compact or remote version).

See [Data sheet Type SE58](#) ▶ for more information.

Two different components must be ordered in order to select a complete device. The following information is required:

- **Article no.** of the sensor **Type S051** (Detailed information can be found in chapter [“5.4. Ordering chart sensor Type S051” on page 8](#))
- **Article no.** of the transmitter **Type SE58** (see [data sheet Type SE58](#) ▶ for more information)

5.3. Bürkert product filter



Bürkert product filter – Get quickly to the right product

You want to select products comfortably based on your technical requirements? Use the Bürkert product filter and find suitable articles for your application quickly and easily.

[Try out our product filter](#)

5.4. Ordering chart sensor Type S051

| DN [mm] | Process connection | Flow rate range | | Housing material | Wetted parts materials | | | Article no. |
|--|--------------------|------------------|-----------------|---------------------|--|------|--------|-------------|
| | | Min. 0...0.4 m/s | Max. 0...10 m/s | | Process connection /Electrode ^{1,2} | Seal | Lining | |
| Sensor Type S051, compact version | | | | | | | | |
| 03 | G ¼" (ISO 228-1) | 0...10 l/h | 0...250 l/h | Stainless steel 304 | Stainless steel 316L | FKM | PTFE | 554321 |
| | NPT ¼" | | | | | | | 554213 |
| 06 | G ⅜" (ISO 228-1) | 0...40 l/h | 0...1000 l/h | | | | | 553065 |
| | NPT ⅜" | | | | | | | 555892 |
| 10 | G ½" (ISO 228-1) | 0...120 l/h | 0...3000 l/h | | | | | 553374 |
| | NPT ½" | | | | | | | 555111 |
| 15 | G ¾" (ISO 228-1) | 0...240 l/h | 0...6000 l/h | | | | | 553481 |
| | NPT ¾" | | | | | | | 557659 |
| 20 | G 1" (ISO 228-1) | 0...500 l/h | 0...12500 l/h | | | | | 553539 |
| | NPT 1" | | | | | | | 553663 |

| DN [mm] | Process connection | Flow rate range | | Housing material | Wetted parts materials | | | Article no. |
|---|-----------------------|------------------|-----------------|------------------------|---|------|--------|-------------|
| | | Min. 0...0.4 m/s | Max. 0...10 m/s | | Process connec- tion /Electrode ^{1.)} | Seal | Lining | |
| Sensor Type S051, remote version with junction box in stainless steel 304 (1.4301) raw and 10 m electrodes and coils cables (included) | | | | | | | | |
| 03 | G ¼" (ISO 228-1) | 0...10 l/h | 0...250 l/h | Stainless steel 304 | Stainless steel 316L | FKM | PTFE | 448487 |
| 06 | G ⅜" (ISO 228-1) | 0...40 l/h | 0...1000 l/h | | | | | 448488 |
| 10 | G ½" (ISO 228-1) | 0...120 l/h | 0...3000 l/h | | | | | 448489 |
| 15 | G ¾" (ISO 228-1) | 0...240 l/h | 0...6000 l/h | | | | | 448490 |
| 20 | G 1" (ISO 228-1) | 0...500 l/h | 0...12500 l/h | | | | | 448491 |

1.) Two measuring electrodes

Further versions on request

| | | | |
|--|---|--|--------------------------|
| | Process connection <ul style="list-style-type: none"> External thread: DIN 11851, SMS 1145 Clamp: ISO2852, BS 4825 Flange: DIN 2501, ANSI | | Pressure PN 40 |
| | Material <ul style="list-style-type: none"> Seal: EPDM, FFKM Junction box in painted aluminium or stainless steel 304 (1.4301) polished Wetted parts (connection): Stainless steel 304 (with full lining in PTFE) Electrodes: <ul style="list-style-type: none"> Alloy C (2 measuring electrodes + 2 ground electrodes) Titanium (2 measuring electrodes + 2 ground electrodes) Tantalum (2 measuring electrodes + 2 ground electrodes) Platinum-rhodium (2 measuring electrodes + 2 ground electrodes) | | |

5.5. Ordering chart accessories

| Accessories for remote sensor | No. | Description | Article no. |
|-------------------------------|-----|---|-------------|
| | 1 | 10 m cable for electrodes ^{1.)} For connecting the sensor (version without junction box) Type S051, S054, S055 or S056 to the connecting box of the cable extension kit. | 448518 |
| | 2 | 10 m cable for coils ^{1.)} For connecting the sensor (version without junction box) Type S051, S054, S055 or S056 to the connecting box of the cable extension kit. | 448519 |
| | 3 | 10 m cable for electrodes ^{1.)} For connecting <ul style="list-style-type: none"> the connecting box of the cable extension kit to the transmitter Type SE58 the sensor (version with junction box) Type S051, S054, S055 or S056 to the transmitter Type SE58 | 562851 |
| | 4 | 10 m cable for coils ^{1.)} For connecting <ul style="list-style-type: none"> the connecting box of the cable extension kit to the transmitter Type SE58 the sensor (version with junction box) Type S051, S054, S055 or S056 to the transmitter Type SE58 | 562852 |
| | 5 | Connecting box of the cable extension kit including resin | 562853 |

1.) Other cables length than 10 m on request (for cables length > 20 m a preamplifier could be needed. **Caution, this will result in a price increase!**)

DTS 1000471655 EN Version: A Status: RL (released | freigegeben | valide) printed: 01.04.2022

Bürkert – Close to You

For up-to-date addresses
please visit us at
www.burkert.com

DTS 1000471655 EN Version: A Status: RL (released | freigegeben | validé) printed: 01.04.2022

